

A Revolutionary SIP Phone for Enhancing Business

The SIP-T42S IP phone is a dynamic business communications tool for superior voice communications and extended functionality. It has a faster, more responsive interface than the T42G and offers better overall performance. The SIP-T42S is a 12-line IP phone with multiple programmable keys for enhancing productivity. It is with Yealink Optima HD Voice Technology and wideband codec of Opus for superb sound quality and crystal clear communications. What's more, the SIP-T42S is built with Gigabit Ethernet technology for rapid call handling. Plus, with an all-new USB port, the SIP-T42S boasts unparalleled functionality and expansibility with Bluetooth, Wi-Fi and USB recording features. The new T4S series offers the same elegant appearance of the T4 line, but with improvements for greater interoperability and collaboration.



Key Features and Benefits

HD Audio

Yealink Optima HD Voice technology combines cutting-edge hardware and software with wideband technology for maximum acoustic performance. Being a totally open, highly versatile audio codec, Opus, is designed to perform a higher HD audio quality than other wideband codecs in a high network bandwidth; However, if your current network quality is poor, Opus can provide you with a better audio quality than other narrowband codecs. And its hearing aid compatible (HAC) handset helps the person who is with hearing loss to hear the voice more clearly.

Easy Customizable and High Expandability

With an all-new USB port, the SIP-T42S is your ideally powerful and expandable office phone with Bluetooth, Wi-Fi and USB recording features. It has three pages of flexible buttons which can be programmed with up to 15 paperless DSS keys.

Efficient Installation and Provisioning

The Yealink T4S series supports efficient provisioning and effortless mass deployment with Yealink's Redirection and Provisioning Service (RPS) and Boot mechanism to help you realize the Zero Touch Provisioning without any complex manual settings, which makes the T4S series simple to deploy, easy to maintain and upgrade. Furthermore, a unified firmware and autop template that applies to all T4S phone models (T41S, T42S, T46S and T48S), saves even more time and costs for businesses, as well as simplifies the management and maintenance.

Secure Transport and Interoperability

The SIP-T42S uses SIP over Transport Layer Security (TLS/SSL), which is the latest network security technology. It's also compatible with leading soft switch suppliers 3CX and Broadsoft Broadworks.

- 2.7" 192x64-pixel graphical LCD with backlight
- Opus* codec support
- USB 2.0
- T4S Auto-P template unified
- T4S firmware unified
- Up to 12 SIP accounts
- Dual-port Gigabit Ethernet
- PoE support
- Paperless label design
- Headset, EHS support
- Integrated stand with 2 adjustable angles
- Wall mountable

Audio Features

- > HD voice: HD handset, HD speaker
- > Hearing aid compatible (HAC) handset
- > Wideband codec: AMR-WB (optional), Opus*, G.722
- > Narrowband codec: AMR-NB (optional), Opus*, G.711(A/μ), G.723.1, G.729AB, G.726, iLBC
- > DTMF: In-band, Out-of-band(RFC 2833) and SIP INFO
- > Full-duplex hands-free speakerphone with AEC
- > VAD, CNG, AEC, PLC, AJB, AGC

Phone Features

- > 12 VoIP accounts
- > One-touch speed dial, redial
- > Call forward, call waiting
- > Call transfer, call hold
- > Call return, group listening
- > Mute, auto answer, DND
- > 3-way conference call
- > Direct IP call without SIP proxy
- > Ring tone selection/import/delete
- > Hotline, emergency call
- > Set date time manually or automatically
- > Dial plan, XML Browser, Action URL/URI
- > RTCP-XR (RFC3611), VQ-RTCPXR (RFC6035)
- > USB port (2.0 compliant):
 - Bluetooth earphone through BT40,
 - Contact synchronization through BT40,
 - Wi-Fi through WF40,
 - USB call recording through USB flash drive
- > Enhanced DSS key

Directory

- > Local phonebook up to 1000 entries
- > Black list
- > XML/LDAP remote phonebook
- > Smart dialing
- > Phonebook search/import/export
- > Call history: dialed/received/missed/forwarded

IP-PBX Features

- > Busy Lamp Field (BLF)
- > Bridged Line Appearance (BLA)
- > Anonymous call, anonymous call rejection
- > Hot-desking, voice mail
- > Flexible seating
- > Call park, call pickup
- > Executive and Assistant
- > Centralized call recording
- > Visual voice mail

- > Call recording

Display and Indicator

- > 2.7" 192x64-pixel graphical LCD with backlight
- > LED for call and message waiting indication
- > Dual-color (red or green) illuminated LEDs for line status information
- > Intuitive user interface with icons and soft keys
- > Multilingual user interface
- > Caller ID with name and number
- > Power saving

Feature keys

- > 6 line keys with LED
- > 6 line keys can be programmed up to 15 paperless DSS keys (3-page view)
- > 5 features keys: message, headset, mute, redial, hands-free speakerphone
- > 4 context-sensitive "soft" keys
- > 6 navigation keys
- > 2 volume control keys
- > Illuminated mute key
- > Illuminated headset key
- > Illuminated hands-free speakerphone key

Interface

- > Dual-port Gigabit Ethernet
- > Power over Ethernet (IEEE 802.3af), Class 2
- > 1 x USB port (2.0 compliant)
- > 1 x RJ9 (4P4C) handset port
- > 1 x RJ9 (4P4C) headset port
- > 1 x RJ12 (6P6C) EHS port

Other Physical Features

- > Stand with 2 adjustable angles
- > Wall mountable
- > External Yealink AC adapter (optional): AC 100~240V input and DC 5V/1.2A output
- > Power consumption (PSU): 1.7-3.2W
- > Power consumption (PoE): 2.5-4.7W
- > Dimension (W*D*H*T): 212mm*189mm*175mm*54mm
- > Operating humidity: 10~95%
- > Operating temperature: -10~50°C (+14~122°F)

Management

- > Configuration: browser/phone/auto-provision
- > Auto provision via FTP/TFTP/HTTP/HTTPS for mass deploy

- > Auto-provision with PnP
- > Zero-sp-touch, TR-069
- > Phone lock for personal privacy protection
- > Reset to factory, reboot
- > Package tracing export, system log

Network and Security

- > SIP v1 (RFC2543), v2 (RFC3261)
- > Call server redundancy supported
- > NAT traversal: STUN mode
- > Proxy mode and peer-to-peer SIP link mode
- > IP assignment: static/DHCP
- > HTTP/HTTPS web server
- > Time and date synchronization using SNTP
- > UDP/TCP/DNS-SRV(RFC 3263)
- > QoS: 802.1p/Q tagging (VLAN), Layer 3 ToS DSCP
- > SRTP for voice
- > Transport Layer Security (TLS)
- > HTTPS certificate manager
- > AES encryption for configuration file
- > Digest authentication
- > OpenVPN, IEEE802.1X
- > IPv6
- > LLDP/CDP/DHCP VLAN
- > ICE

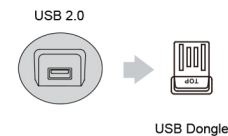
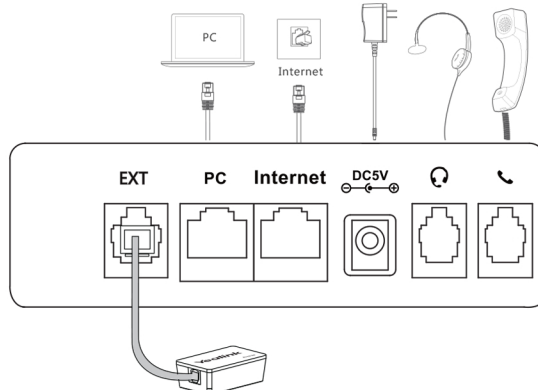
Package Features

- > Package content:
 - Yealink SIP-T42S IP phone
 - Handset with handset cord
 - Ethernet Cable (2m CAT5E UTP Cable)
 - Stand
 - Quick Start Guide
 - Power Adapter (Optional)
 - Wall Mount Bracket (Optional)
- > Qty/CTN: 5 PCS
- > N.W/CTN: 6.4 kg
- > G.W/CTN: 7.0 kg
- > Giftbox size: 246mm*223mm*120mm
- > Carton Meas: 627mm*256mm*235mm

Compliance



* Opus: Support 8 kHz (narrowband) and 16 kHz (wideband) sampling rate



[Learn More](#)

To find out how Partners Consulting Group can help your organization, email us at chad@partnerscsg.com